

FRESNO COUNTY EMPLOYEES' RETIREMENT ASSOCIATION

Mondrian Emerging Markets - Country Allocation & Returns

Period Ending: March 31, 2008

Countries	Mondrian		MSCI Emerging Markets Index		Difference %	
	Weight %	Return %	Weight %	Return %	Weight %	Return %
Mexico	7.5	-	5.2	5.1	2.3	-
Russia	8.2	-	10.0	-11.4	-1.8	-
Taiwan	16.6	-	11.7	5.2	4.9	-
Argentina	2.0	-	0.6	18.2	1.4	-
Turkey	1.4	-	1.2	-38.4	0.2	-
Canada	0.1	-	0.0	-11.0	-	-
Singapore	0.0	-	0.0	-11.0	0.0	-
Thailand	5.0	-	1.6	3.1	3.4	-
Malaysia	4.1	-	2.5	-9.1	1.6	-
United States	-	-	-	-	-	-
Pakistan	0.0	-	0.0	-10.4	0.0	-
Jordan	0.0	-	0.0	-2.4	0.0	-
India	2.7	-	7.0	-27.6	-4.3	-
Philippines	1.3	-	0.5	-17.0	0.8	-
Kazakhstan	0.0	-	0.0	-11.0	0.0	-
South Korea	7.9	-	13.8	-12.8	-5.9	-
Sweden	-	-	-	-	-	-
Morocco	0.0	-	0.0	33.8	0.0	-
Sri Lanka	0.0	-	0.0	-11.0	0.0	-
Vietnam	0.0	-	0.0	-11.0	0.0	-
Egypt	2.8	-	0.8	7.9	2.0	-
Colombia	2.2	-	0.4	-4.4	1.8	-
Oman	-	-	-	-11.0	-	-
Peru	0.0	-	0.0	5.3	0.0	-
United Kingdom	-	-	-	-11.0	-	-
Bermuda	0.0	-	0.0	-11.0	0.0	-
Luxembourg	-	-	-	-	-	-
Israel	2.6	-	2.3	-4.7	0.3	-
Netherlands	0.0	-	0.0	-11.0	0.0	-
Czech Republic	1.1	-	0.8	-0.4	0.3	-
Hong Kong	0.0	-	0.0	-11.0	0.0	-
Chile	1.2	-	1.4	9.8	-0.2	-
Poland	1.9	-	1.8	-3.9	0.1	-
South Africa	7.0	-	6.3	-14.9	0.7	-
Panama	0.3	-	0.0	-	0.3	-
Hungary	0.0	-	0.0	-13.7	0.0	-
Brazil	14.8	-	14.4	-5.0	0.4	-
China	8.4	-	13.9	-23.7	-5.5	-
Other	0.9	-	3.8	-	-2.9	-
	100.0	-4.8	100.0	-10.9		

FRESNO COUNTY EMPLOYEES' RETIREMENT ASSOCIATION

Mondrian Emerging Markets- Country Allocation & Returns

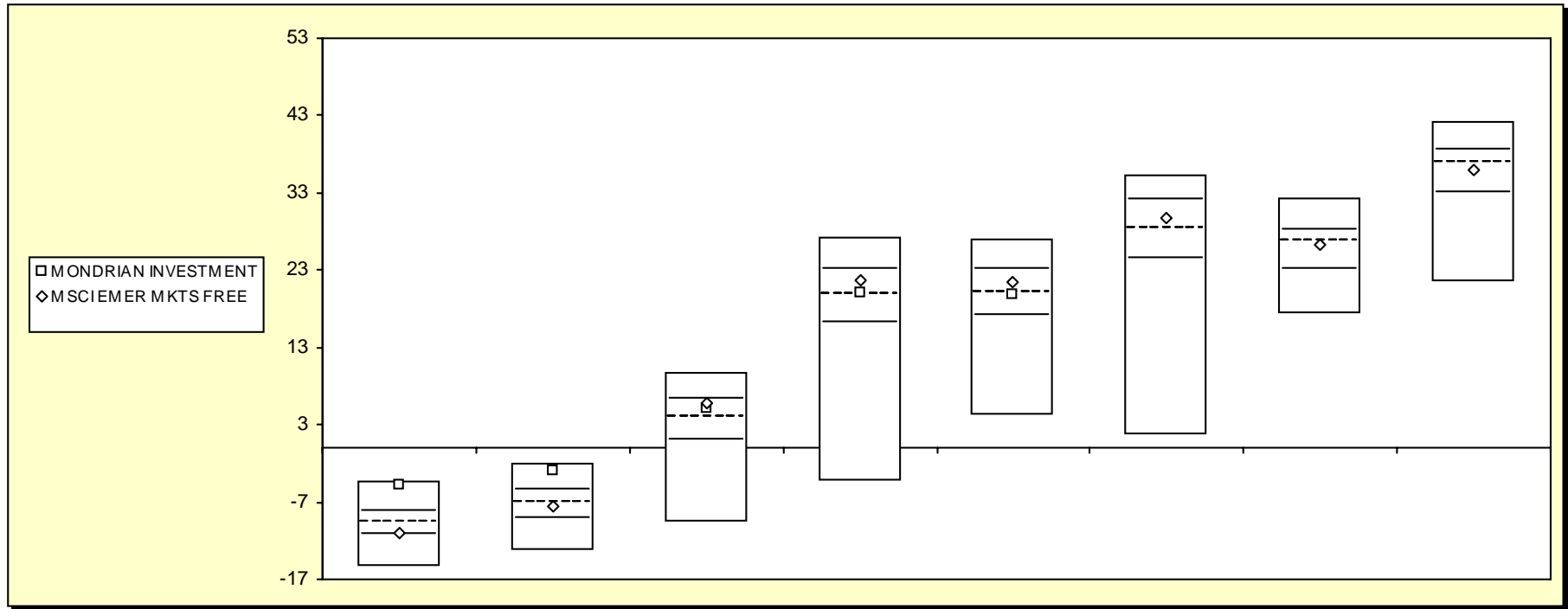
Period Ending: March 31, 2008

Sector	Weight %	Mondrian	MSCI Emerging Markets Index		Difference %	
		Return %	Weight %	Return %	Weight %	Return %
Cash	1.3	-	-	-	-	-
Information Technology	13.6	-	10.9	-4.3	2.7%	-
Financials	19.9	-	20.5	-16.8	-0.6%	-
Consumer Discretionary	4.8	-	4.9	-10.6	-0.1%	-
Telecommunication Services	20.0	-	11.6	-9.6	8.4%	-
Energy	13.1	-	17.4	-14.4	-4.3%	-
Health Care	0.0	-	1.7	-4.6	-1.7%	-
Consumer Staples	3.6	-	4.5	-4.6	-0.9%	-
Materials	12.0	-	16.1	-2.3	-4.1%	-
Utilities	4.1	-	3.4	-12.4	0.7%	-
Industrials	7.6	-	9.0	-16.6	-1.4%	-
	100.0	-4.8	100.0	-10.9	-1.3	

Fresno County Employees' Retirement Association

Cumulative Performance Comparisons

Period Ending: March 31, 2008



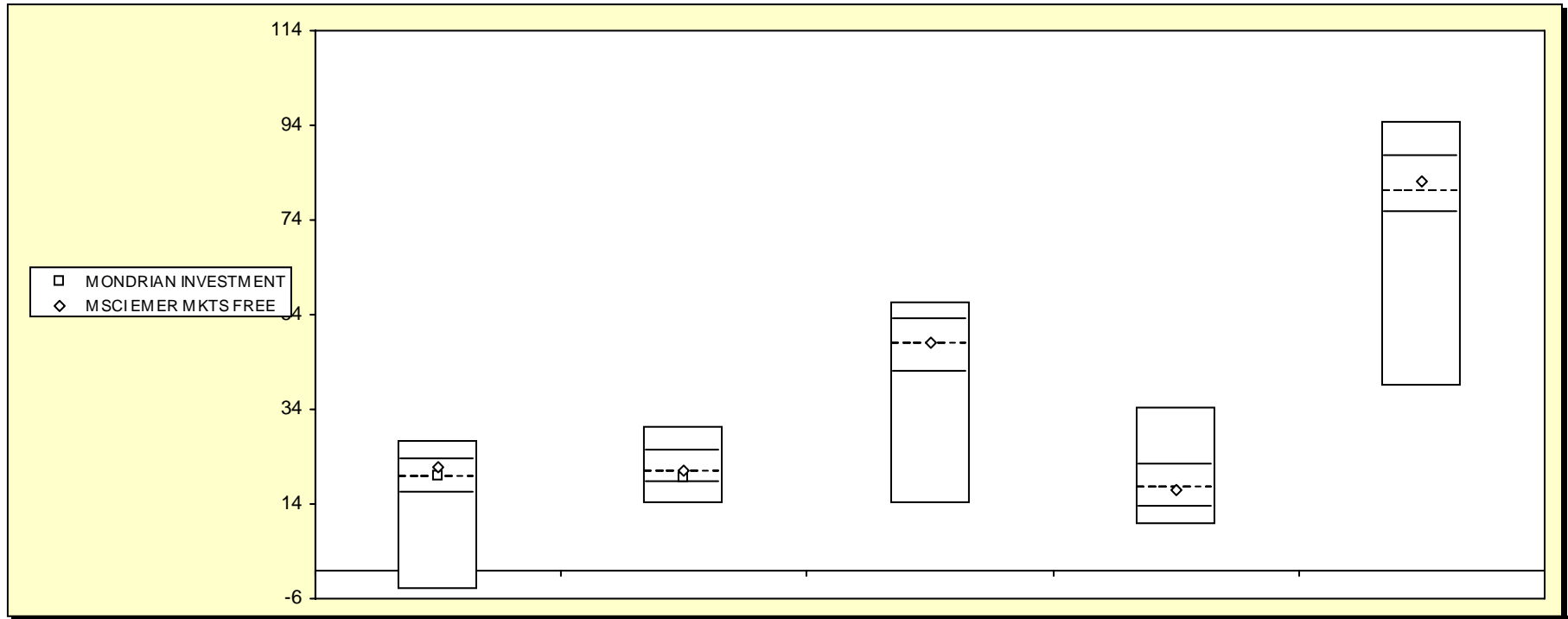
Int'l Emerging Market Equity Funds

	Last Quarter		Two Quarters		Three Quarters		One Year		Two Years		Three Years		Four Years		Five Years	
	Return	Rank	Return	Rank	Return	Rank	Return	Rank	Return	Rank	Return	Rank	Return	Rank	Return	Rank
5th Percentile	-4.4		-2.0		9.7		27.3		26.9		35.4		32.4		42.1	
25th Percentile	-8.2		-5.4		6.3		23.1		23.0		32.1		28.1		38.5	
50th Percentile	-9.7		-7.1		3.9		19.7		20.1		28.4		26.8		36.8	
75th Percentile	-11.3		-9.1		0.9		16.2		17.0		24.5		23.1		33.1	
95th Percentile	-15.3		-13.3		-9.5		-4.3		4.1		1.6		17.2		21.4	
MONDRIAN INVESTMENT	-4.8	7	-2.9	10	5.2	37	20.0	48	19.8	52						
MSCI EMER MKTS FREE	-10.9	69	-7.7	57	5.8	31	21.7	36	21.3	39	29.6	41	26.4	53	36.0	56

Fresno County Employees' Retirement Association

Consecutive Performance Comparisons

Period Ending: March 31, 2008



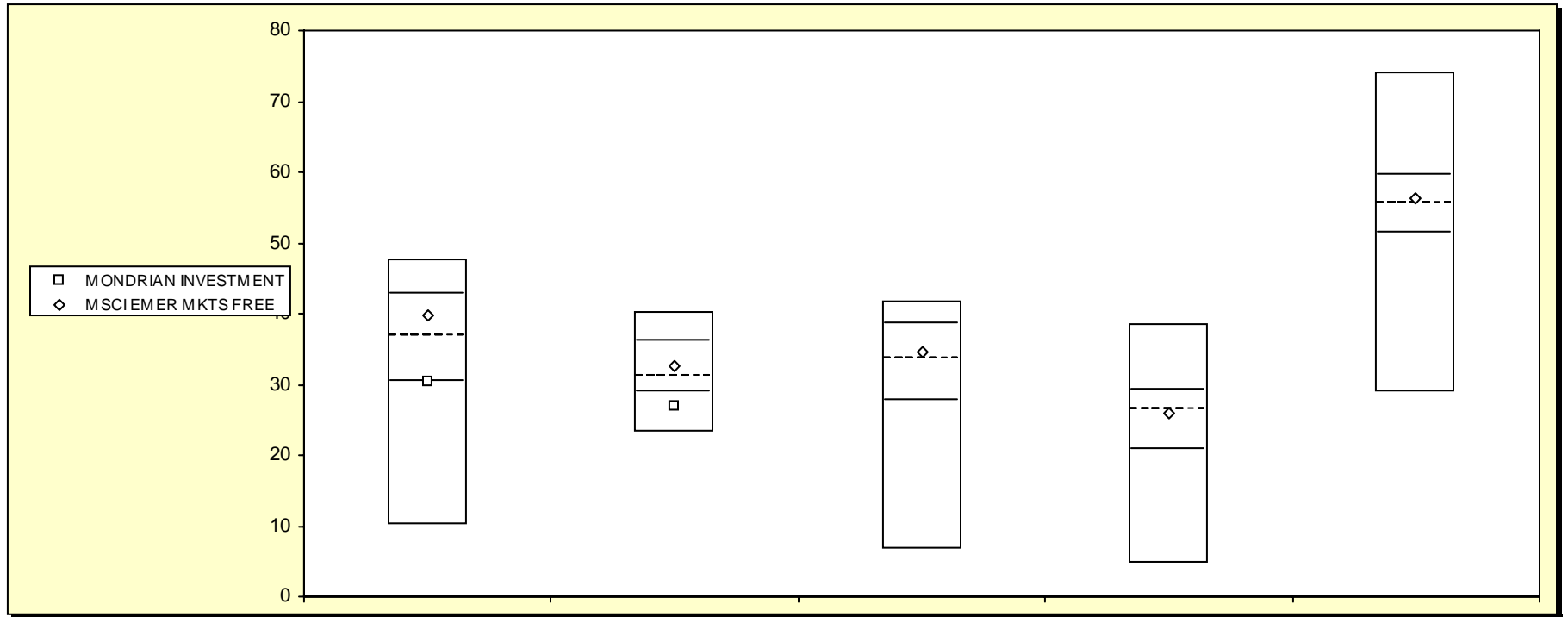
Int'l Emerging Market Equity Funds

	March 2008		March 2007		March 2006		March 2005		March 2004	
	Return	Rank	Return	Rank	Return	Rank	Return	Rank	Return	Rank
5th Percentile	27.3		30.3		56.5		34.2		94.7	
25th Percentile	23.1		25.0		52.8		22.1		87.4	
50th Percentile	19.7		20.6		47.7		17.5		79.8	
75th Percentile	16.2		18.6		42.0		13.4		75.3	
95th Percentile	-4.3		14.1		14.0		9.4		38.7	
MONDRIAN INVESTMENT	20.0	48	19.5	63						
MSCI EMER MKTS FREE	21.7	36	21.0	48	48.0	48	17.0	53	82.2	42

Fresno County Employees' Retirement Association

Consecutive Annual - Five Year

Period Ending: March 31, 2008



Int'l Emerging Market Equity Funds

	December 2007		December 2006		December 2005		December 2004		December 2003	
	Return	Rank	Return	Rank	Return	Rank	Return	Rank	Return	Rank
5th Percentile	47.6		40.3		41.8		38.4		74.2	
25th Percentile	42.8		36.1		38.5		29.0		59.6	
50th Percentile	36.7		31.1		33.6		26.5		55.6	
75th Percentile	30.5		29.0		27.7		20.7		51.5	
95th Percentile	10.2		23.2		6.6		4.7		28.9	
MONDRIAN INVESTMENT	30.4	75	26.9	82						
MSCI EMER MKTS FREE	39.8	37	32.6	42	34.5	45	26.0	52	56.3	46